

INSTALLATION INSTRUCTIONS

AS 600 M1, AS 900 M1, AS 1200 M1

MONTAGEINSTRUCTIONS



PLEASE READ CAREFULLY BEFORE MONTAGE!

Version: 2.0 EN-US; item number: 00602-3-420



TABLE OF CONTENTS

1	SCOPE OF DELIVERY	3
1.1	AS 600 M1	3
1.2	AS 900 M1	4
1.3	AS 1200 M1	5
2	INSTALLATION	5
3	AS 600 M1	6
3.1	Tine section installation	6
3.2	AS 600 M1 – installation of accessories	7
3.2.1	Installation of 2nd feeler wheel pair	7
3.2.2	Installation of the lighting holder	7
4	AS 900 M1 RIGID	8
4.1	Installation of the extension for the AS 900 M1 rigid	8
4.2	Installation of the holder for folding linkage	9
4.3	Installing the tine section fork on the frame	9
4.4	Installation of the folding linkage	10
4.5	AS 900 M1 rigid – installing the lighting	10
5	AS 900 M1 – SCISSORS FOLDING	11
5.1.1	Installation of the AS 900 M1 side frame scissors folding	11
5.2	Installing the folding linkage & tine section	12
5.3	Hooking in the folding linkage of the tine section	12
5.4	Installation – folding linkage	13
5.5	Installation of the AS 900 M1 lighting and scissors folding	13
6	AS 1200 M1	14
6.1	Feeler wheel installation for the AS 1200 M1	14
6.2	Installation of the folding linkage for the AS 1200 M1	15
6.3	Hooking in the tine sections	17
6.4	Installation of the AS 1200 M1 lighting	18

1 SCOPE OF DELIVERY

1.1 AS 600 M1



Figure 1: AS 600 M1 delivery status



Figure 2: AS 600 M1 delivery status – accessories

1.2 AS 900 M1



Figure 3: AS 900 M1 delivery status

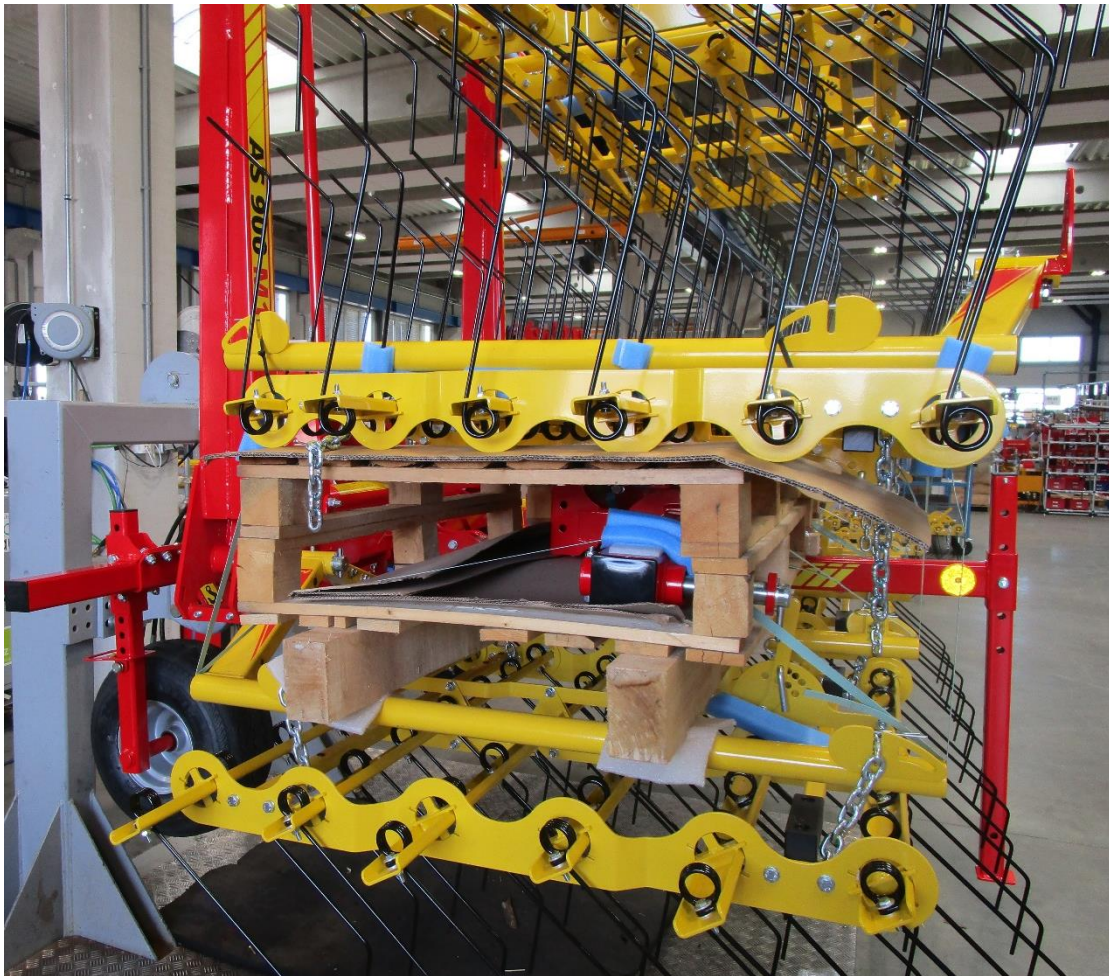


Figure 4: AS 900 M1 delivery status

1.3 AS 1200 M1



Figure 5: AS 1200 M1 delivery status

2 INSTALLATION

The installation instructions are divided for the respective AS types because installation differs from implement to implement due to the transport status of the implement.

3 AS 600 M1

Before installation can be started, completely remove the provided accessories from the tined weeder. Then unfold the tined weeder and place it horizontally on the ground by means of the feeler wheels in the front and parking support in the rear.

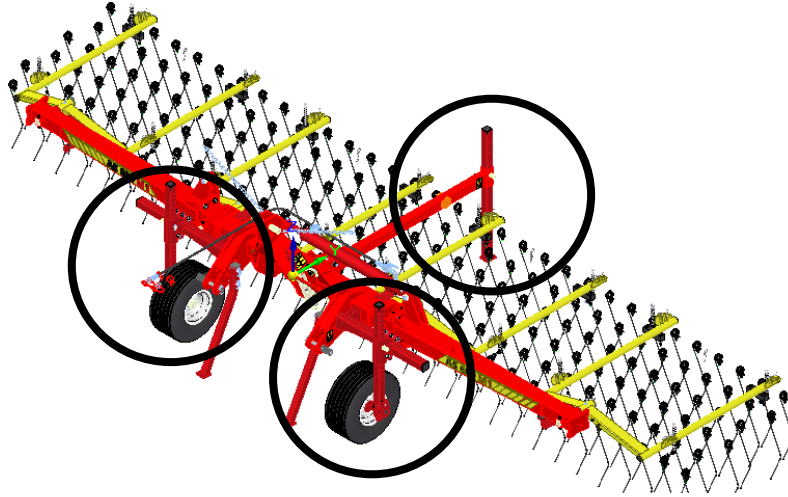


Figure 6: Unfolding the AS 600 M1

3.1 TINE SECTION INSTALLATION

For the outer tine sections, the folding limiter is mounted in transport position so that the tine sections are horizontal for transport. To bring the tine sections into working position, dismount the fold limiter and then remount it as shown in Figure 7 & Figure 8.

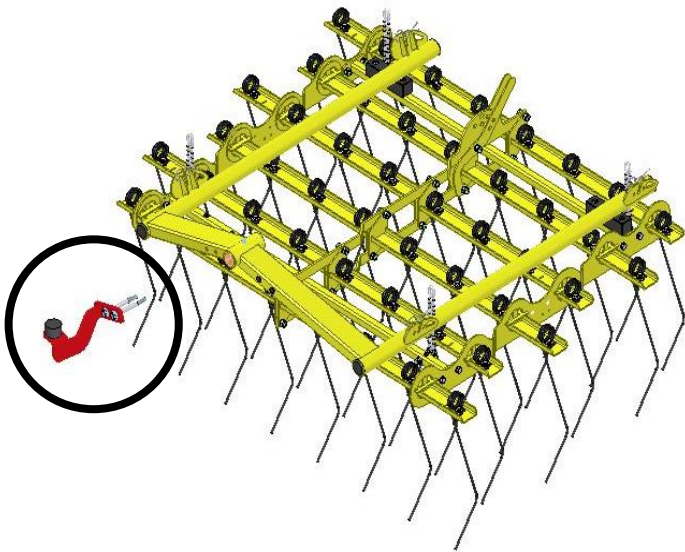


Figure 7: Tine section installation for the AS 600 M1

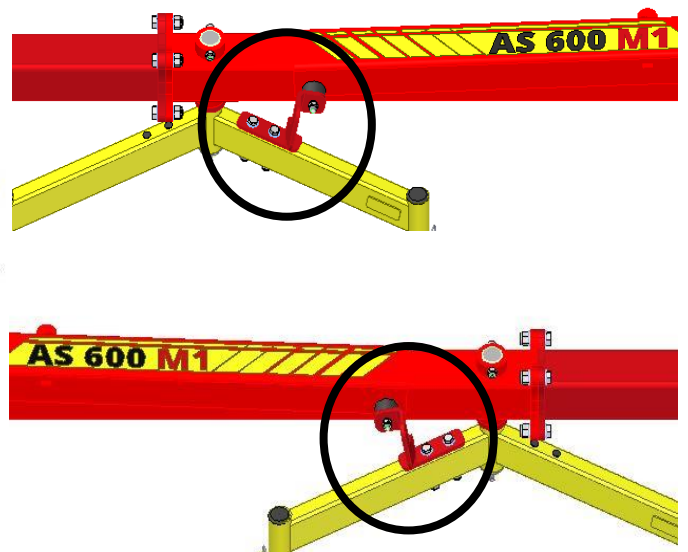


Figure 8: Folding limiter for AS 600 M1 mounted left and right

3.2 AS 600 M1 – INSTALLATION OF ACCESSORIES

3.2.1 INSTALLATION OF 2ND FEELER WHEEL PAIR

For installation of the 2nd feeler wheel pair, mount the pre-assembled extension on the side frame, as shown in Figure 9.

Then slide the feeler wheel (Figure 10) into the holder and fix the holder in place with the bolt in the same hole as the other feeler wheels.

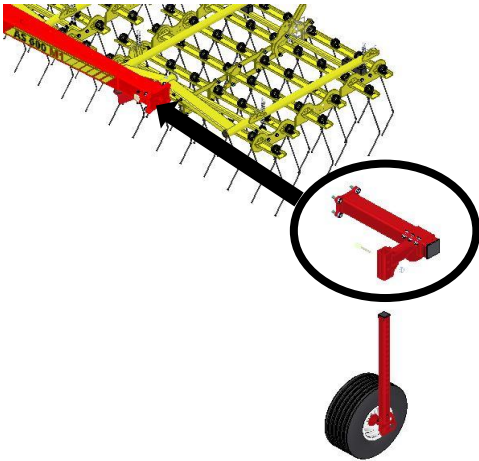


Figure 9: AS 600 M1 – mounting the extension on the side frame

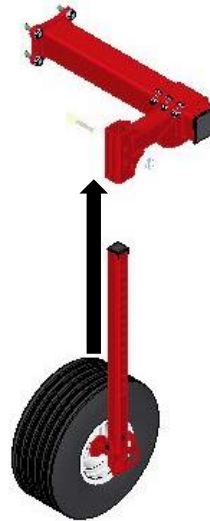


Figure 10: AS 600 M1 – mounting the feeler wheel

3.2.2 INSTALLATION OF THE LIGHTING HOLDER

To install the lighting on the rear, remove the support and slide the lighting under the bracing. Then bolt on the lighting with the 2 provided U-bolts.



Figure 11: AS 600 M1 – installing the lighting

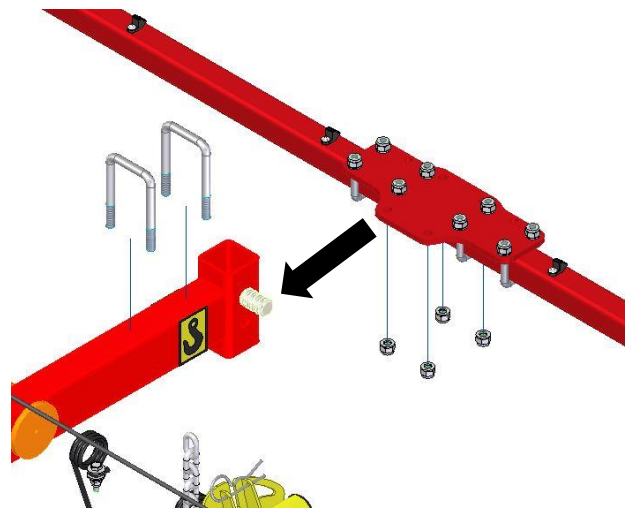


Figure 12: AS 600 M1 – fixation of the lighting

4 AS 900 M1 RIGID

Before installation can be started, completely remove the provided accessories from the tined weeder as shown in Figure 3 & Figure 4. Then unfold the tined weeder and place it horizontally on the ground by means of the feeler wheels in the front and parking in the rear.

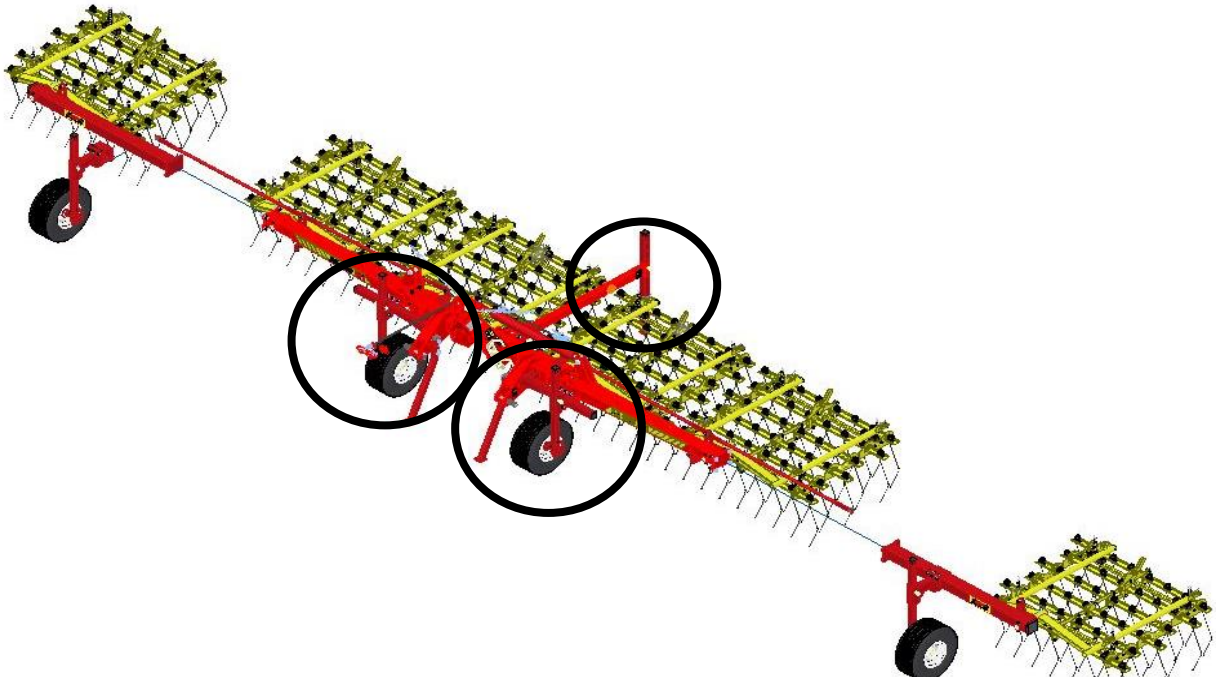


Figure 13: Unfolding the AS 900 M1

4.1 INSTALLATION OF THE EXTENSION FOR THE AS 900 M1 RIGID

For the next step, mount both extensions left and right on the frame and mount the feeler wheels in the same position as the feeler wheels on the center frame.

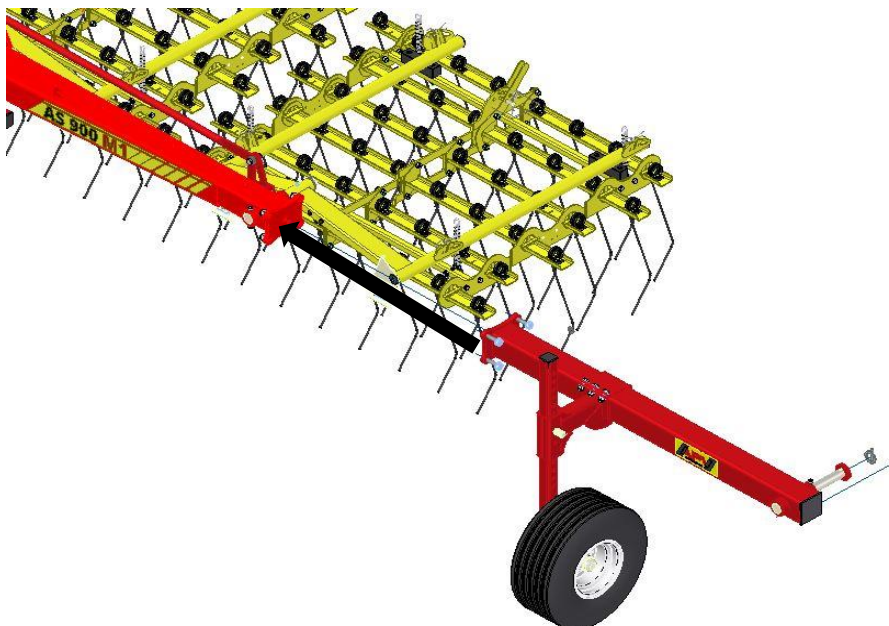


Figure 14: AS 900 M1 rigid – installing the extension

4.2 INSTALLATION OF THE HOLDER FOR FOLDING LINKAGE

Fasten the holder for the folding linkage before installing the outer tine sections on the frame (Figure 15).

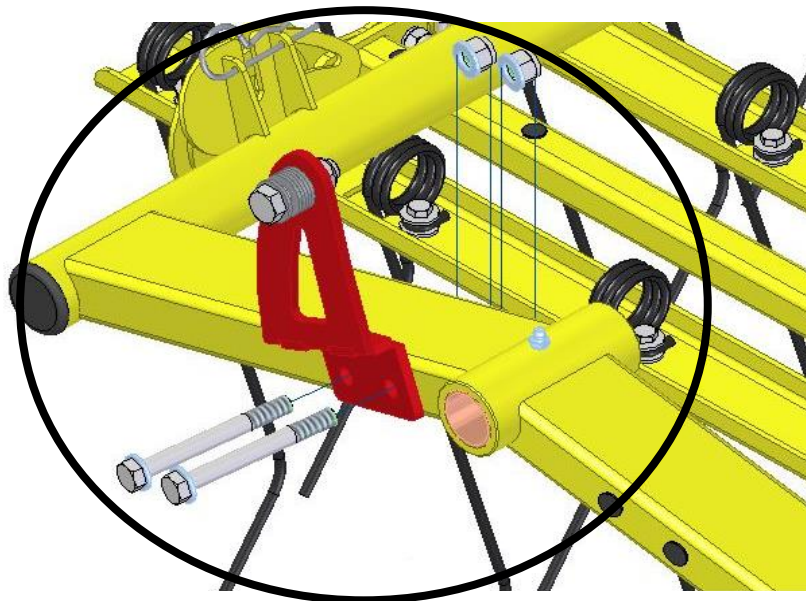


Figure 15: Preparing for tine section installation on the extension

4.3 INSTALLING THE TINE SECTION FORK ON THE FRAME

Then install the tine section fork on the center frame as shown in Figure 16. To do so, first mount the spacer disk (1) on the bolt. Then slide on the tine section fork and fix it in place with the spacer disk and hollow pin (2).

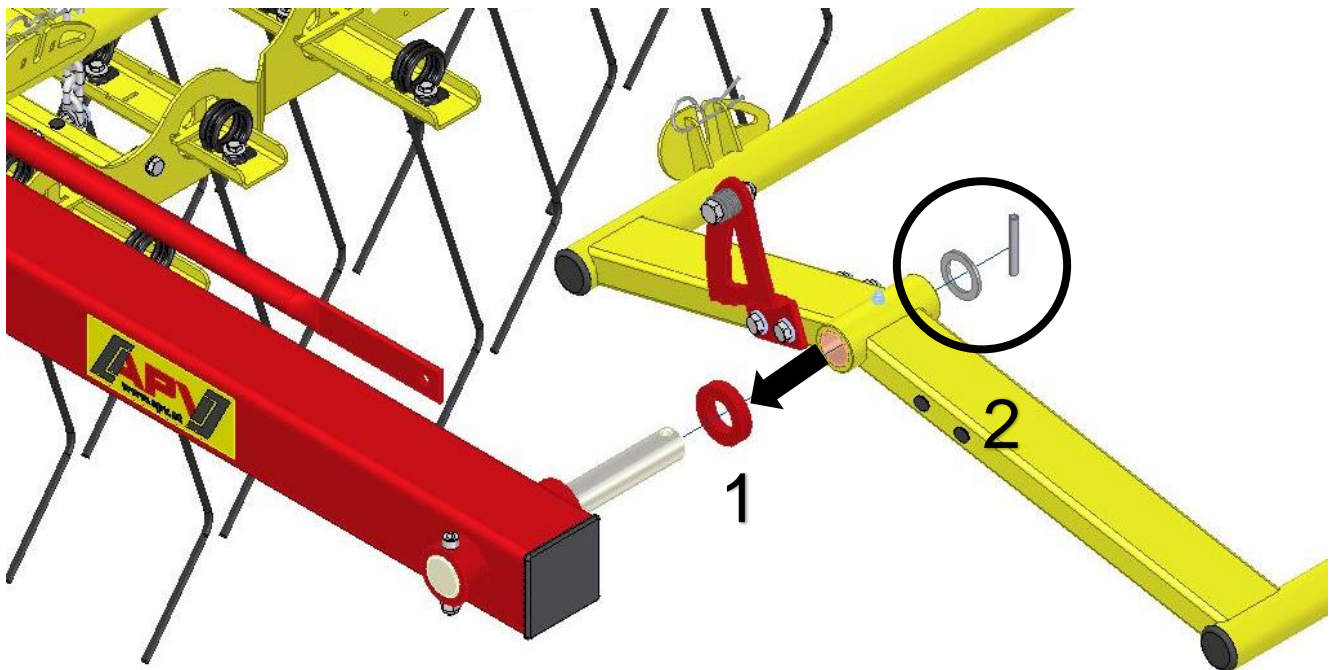


Figure 16: Tine section installation on the frame

4.4 INSTALLATION OF THE FOLDING LINKAGE

Install the folding linkage on the outermost tine section as shown in Figure 17. 5 shim washers must be placed between the folding linkage and the holder.

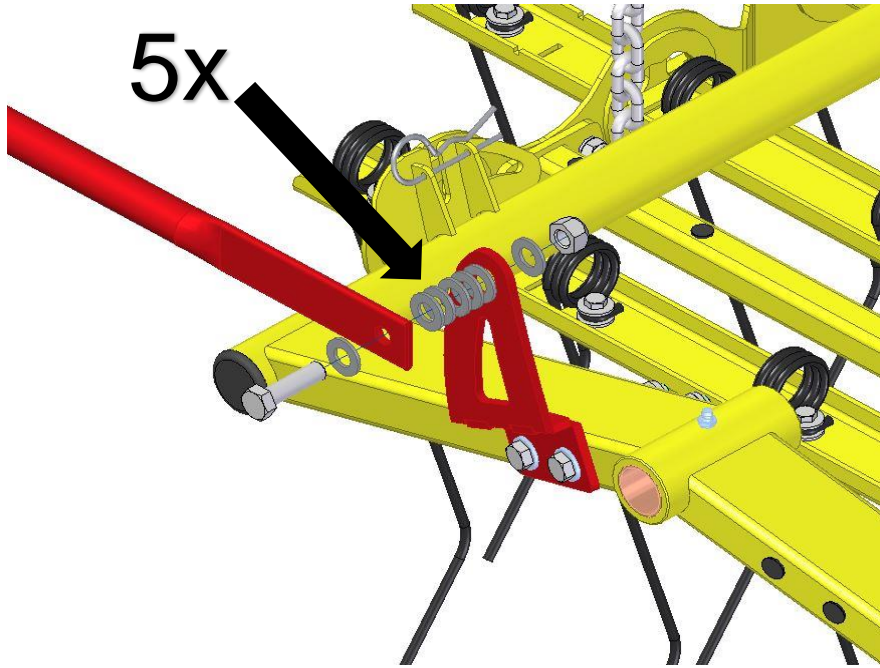


Figure 17: Installation of the folding linkage on the tine section

In addition, install the folding linkage on the transition to the inner folding linkage as shown in Figure 18. One shim washer must be attached in each intermediate space.

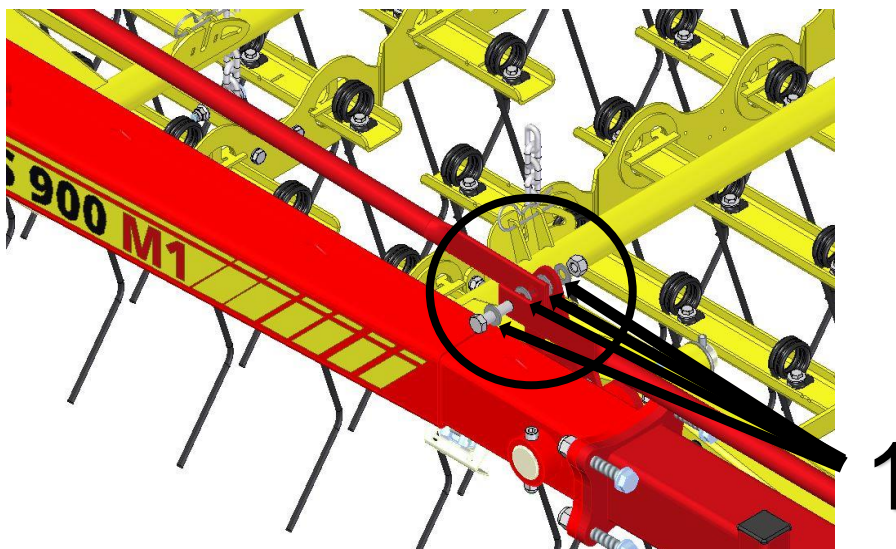


Figure 18: Installing the inside folding linkage

4.5 AS 900 M1 RIGID – INSTALLING THE LIGHTING

For installation of the lighting for the AS 900 M1 rigid, see Point 3.2.2 as well as Figure 11 & Figure 12.

5 AS 900 M1 – SCISSORS FOLDING

Before installation can be started, completely remove the provided accessories from the tined weeder as shown in Figure 3 & Figure 4. Then unfold the tined weeder and place it horizontally on the ground by means of feeler wheels in the front and parking supports in the rear.

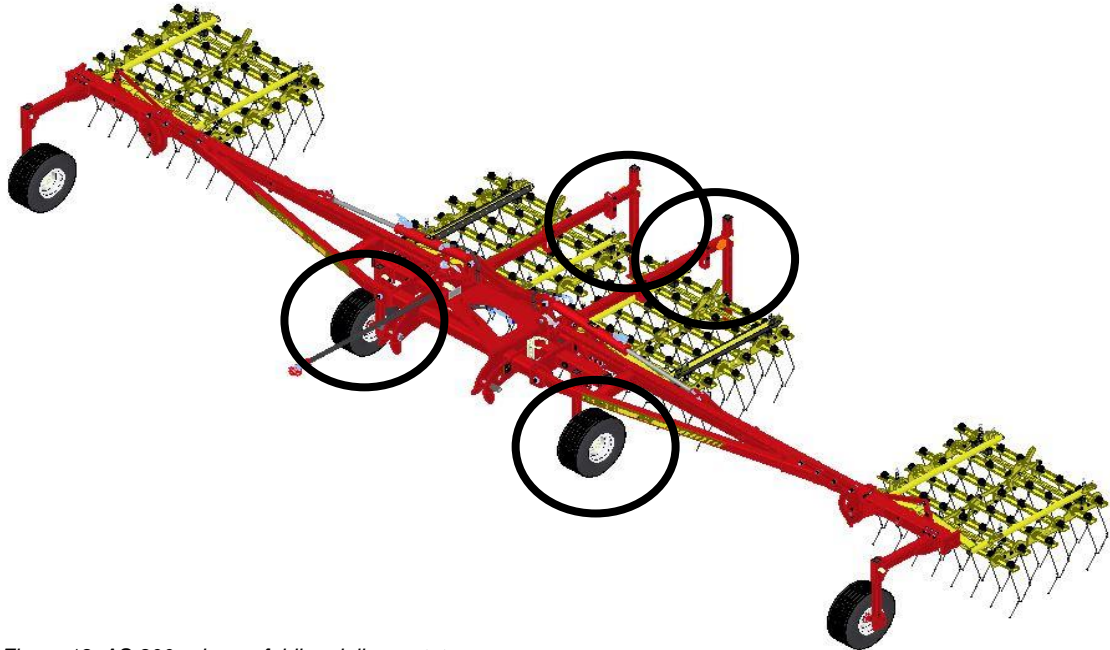


Figure 19: AS 900 scissors folding delivery status

5.1.1 INSTALLATION OF THE AS 900 M1 SIDE FRAME SCISSORS FOLDING

First install the side frame extension on the main frame. This is fixed in place with bolts, see Figure 20 (1). Then mount the feeler wheels in the same position as the feeler wheels on the center frame (2).



Figure 20: Installing the side frame on the main frame of the AS 900 M1 scissors folding unit

5.2 INSTALLING THE FOLDING LINKAGE & TINE SECTION

Mount the holder for the folding linkage and the individual sheet metal profiles as shown in Figure 21.

Then slide the tine section fork onto the bolts and secure it against loss with the washer and the two hollow pins, as shown in Figure 22.

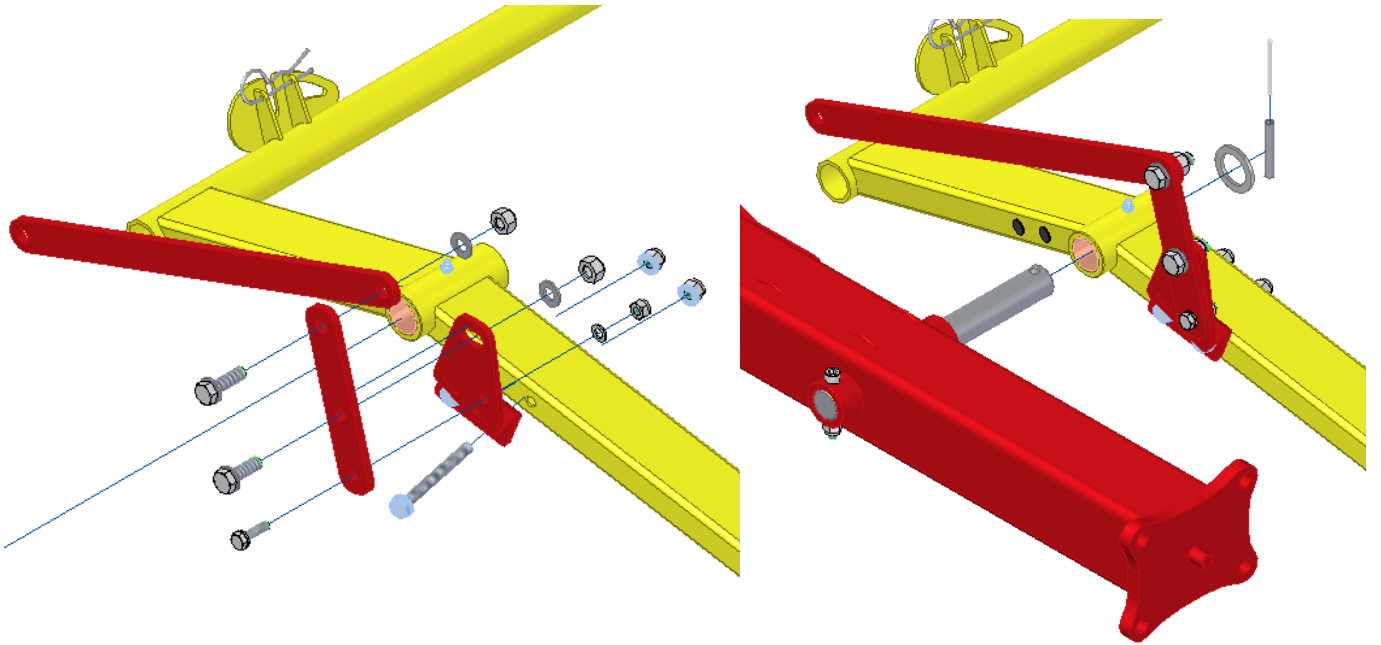


Figure 21: Installation of the folding linkage

Figure 22: Installation of the tine section

5.3 HOOKING IN THE FOLDING LINKAGE OF THE TINE SECTION

Fasten the folding linkage of the tine section with a cotter pin as shown in Figure 23.

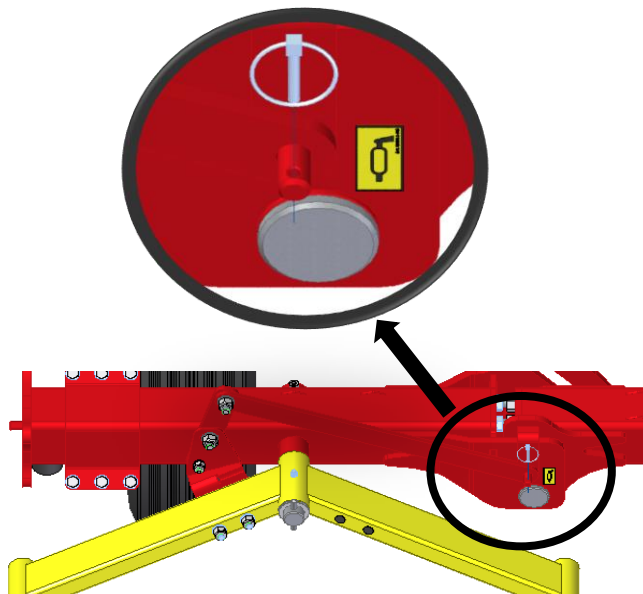


Figure 23: Hooking in the folding linkage of the tine section

5.4 INSTALLATION – FOLDING LINKAGE

The folding linkage of the side frame consists of sheet metal parts, spacer sleeves, as well as nuts and bolts. See Figure 25 for a detailed overview.

Completely installed it should then look like what is shown in Figure 24.

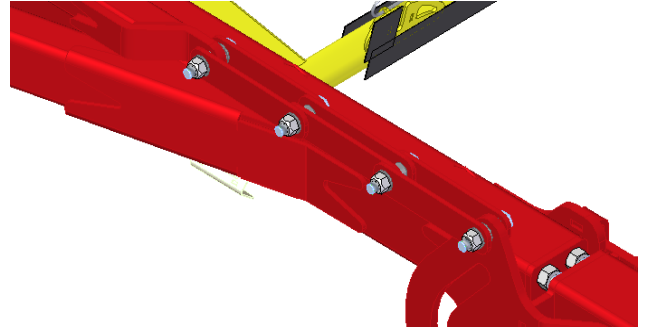


Figure 24: Folding linkage for side frame

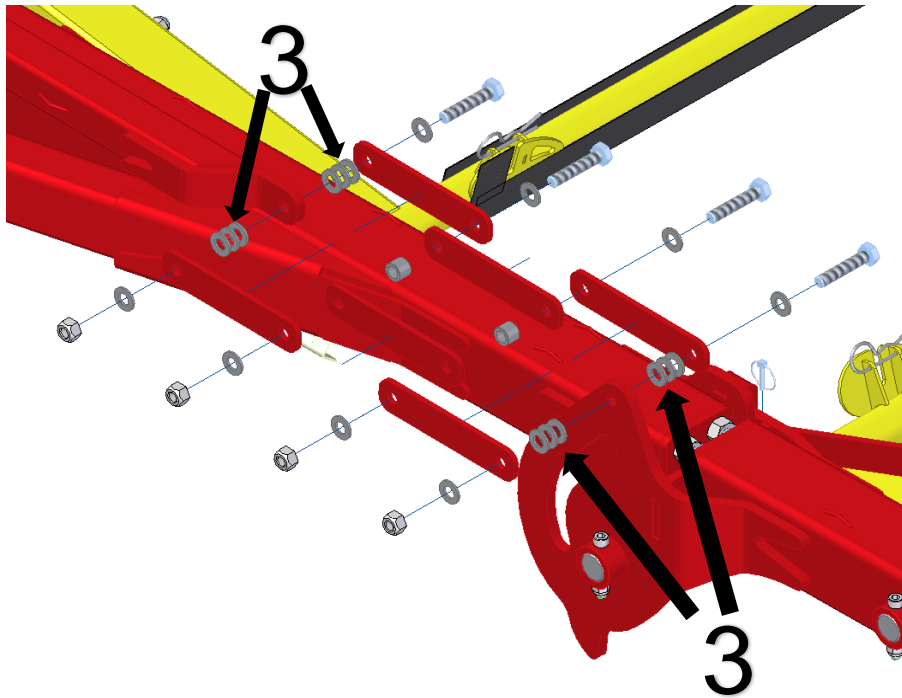


Figure 25: Folding linkage for side frame – exploded view

5.5 INSTALLATION OF THE AS 900 M1 LIGHTING AND SCISSORS FOLDING

To install the lighting on the rear, mount the extension directly on the holder of the parking supports. Then bolt the lighting holder onto the extension (Figure 26).

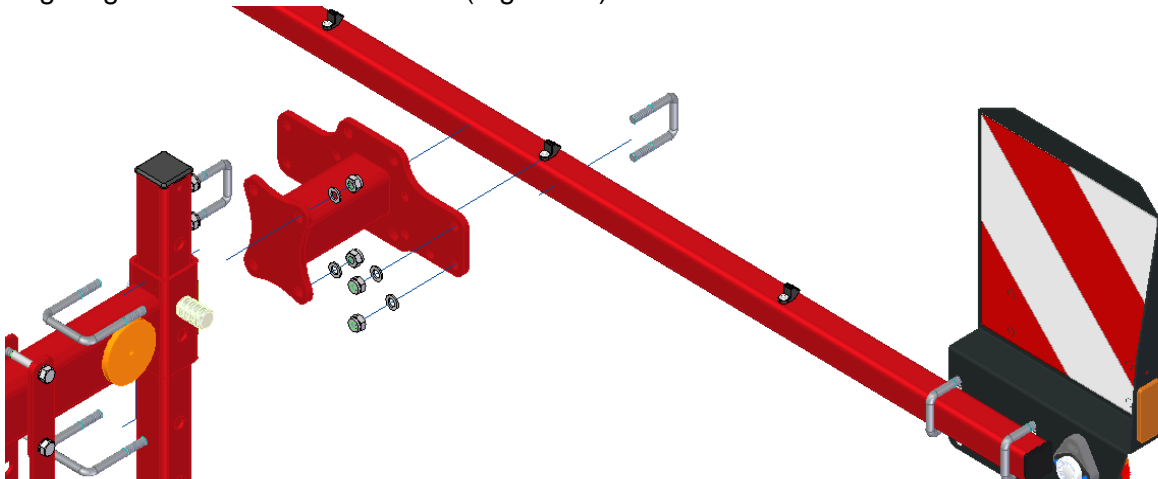


Figure 26: Installation of the AS 900 M1 lighting on the scissor folding

6 AS 1200 M1

Before installation can be started, completely remove the provided accessories from the tined weeder as shown in Figure 5. Then unfold the tined weeder and place it horizontally on the ground by means of the feeler wheels in the front and parking supports in the rear.



Figure 27: AS 1200 delivery status

6.1 FEELER WHEEL INSTALLATION FOR THE AS 1200 M1

First of all, mount the two feeler wheels as shown in Figure 28.



Figure 28: Feeler wheel installation for the AS 1200

6.2 INSTALLATION OF THE FOLDING LINKAGE FOR THE AS 1200 M1

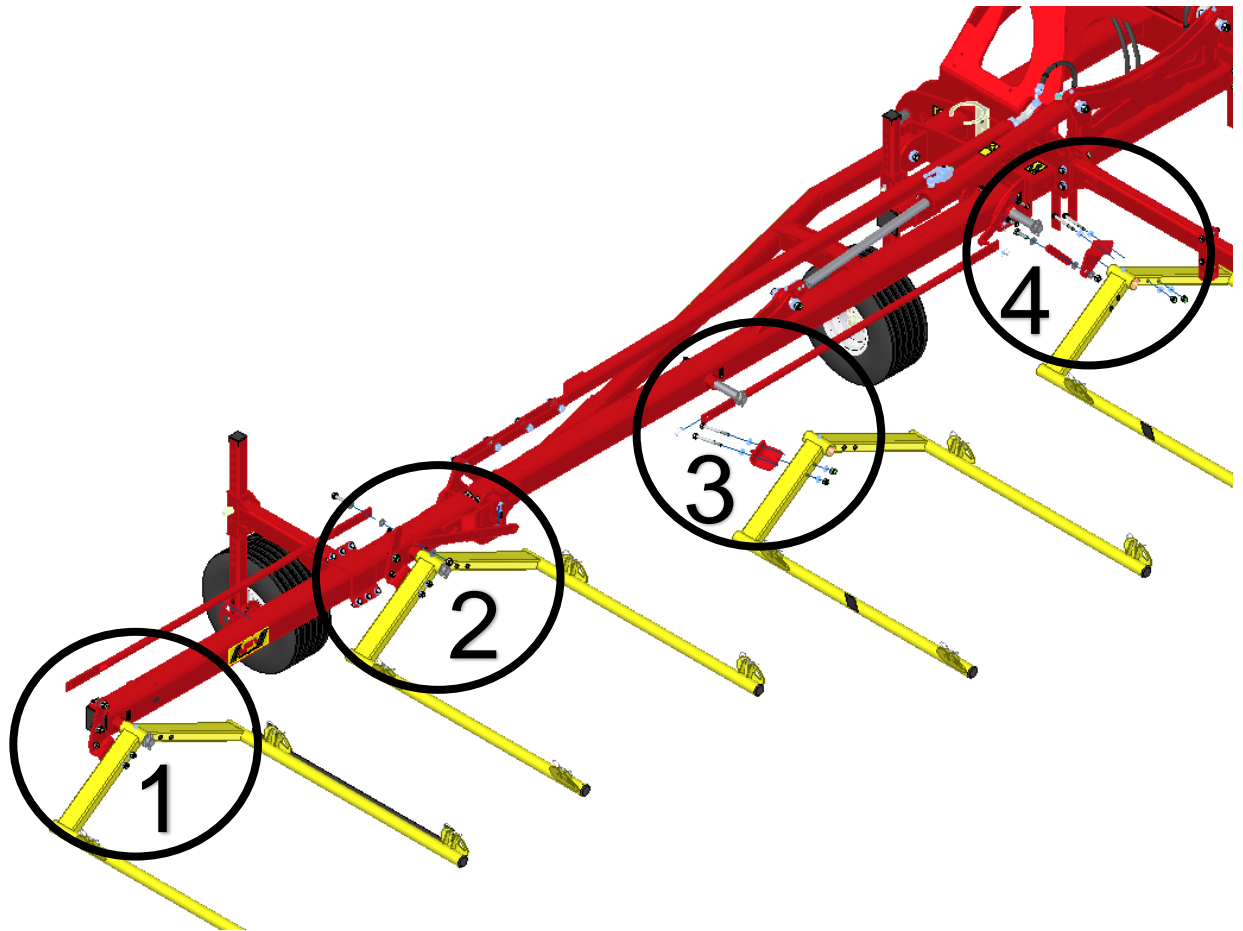


Figure 29: Overview of the mounting points for the AS 1200 M1 folding linkage

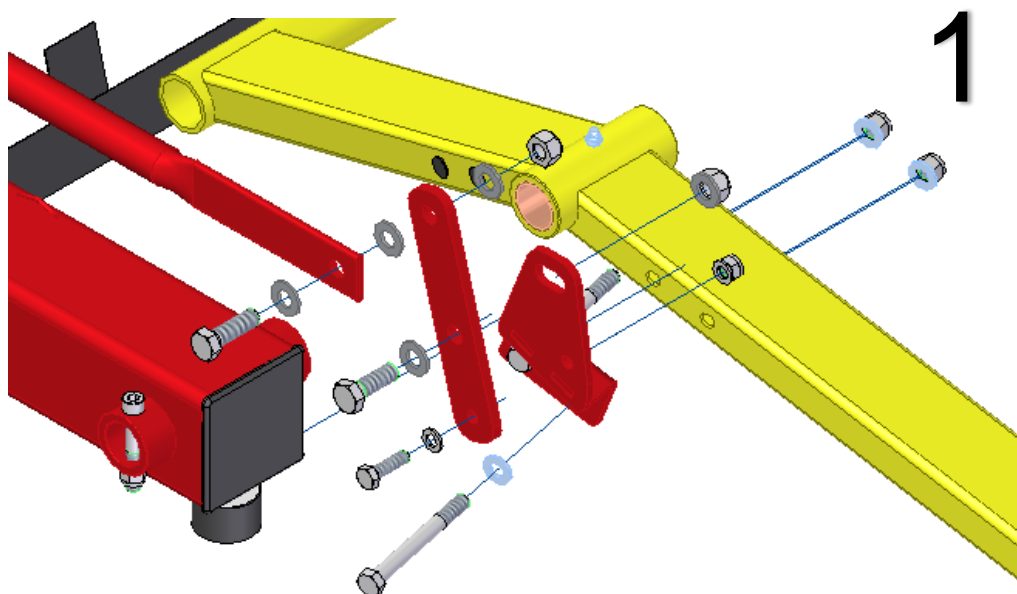


Figure 30: Installation of the AS 1200 M1 folding linkage; 1st tine section from the outside

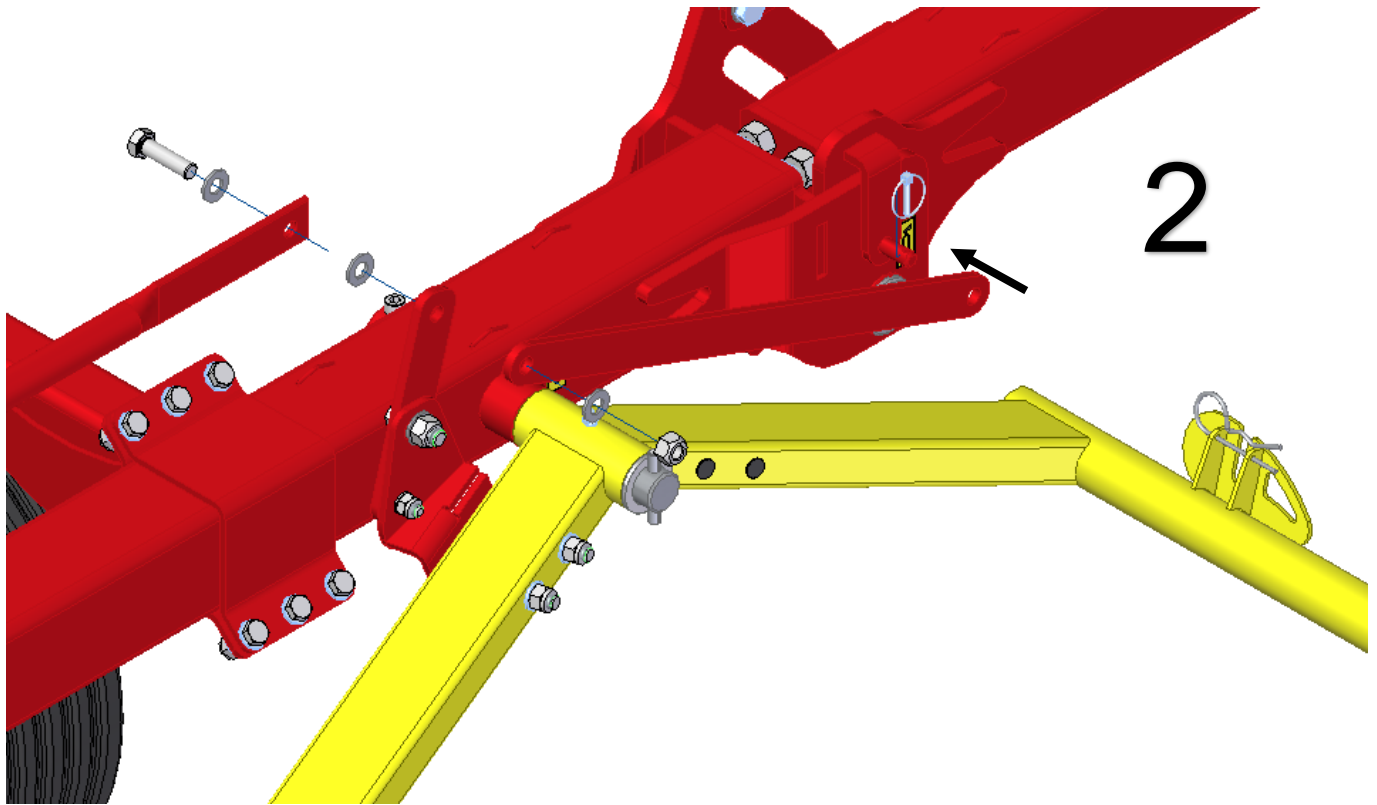


Figure 31: Installation of the AS 1200 M1 folding linkage; 2nd tine section from the outside

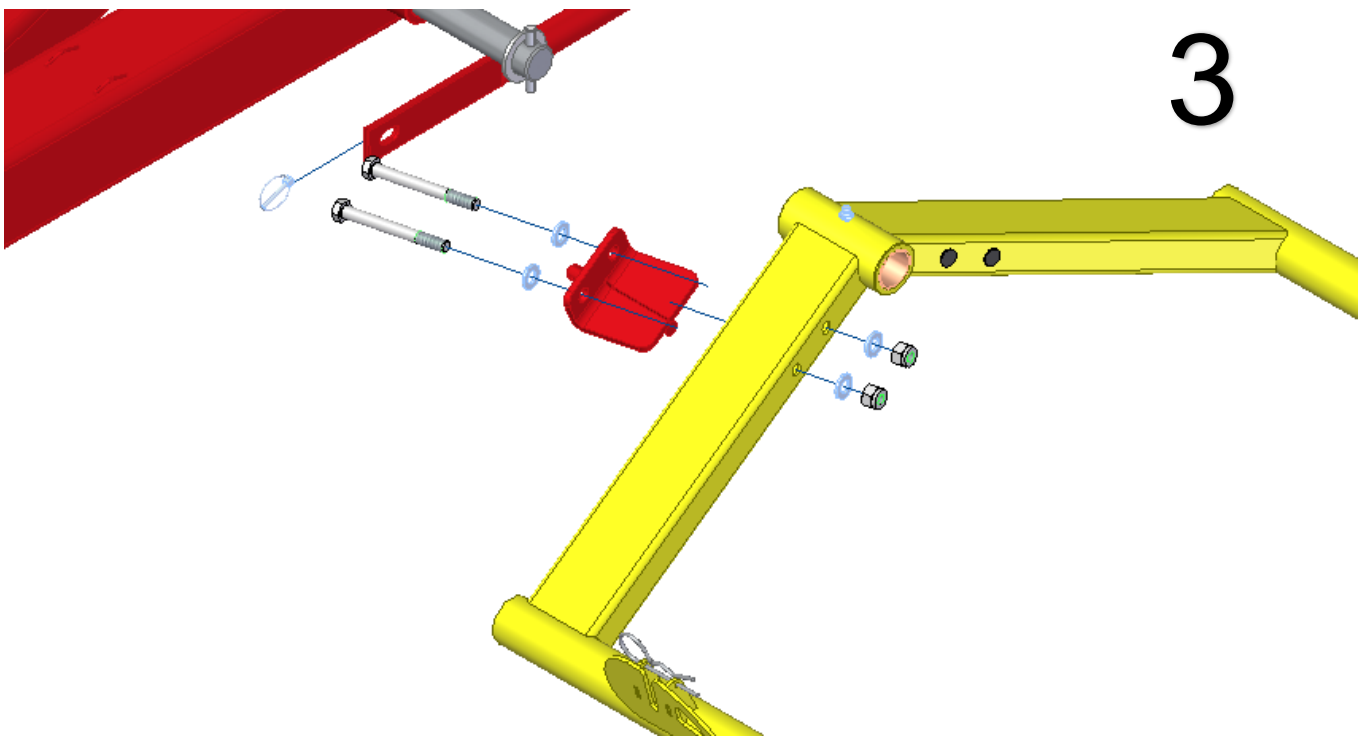


Figure 32: Installation of the AS 1200 M1 folding linkage; 3rd tine section from the outside

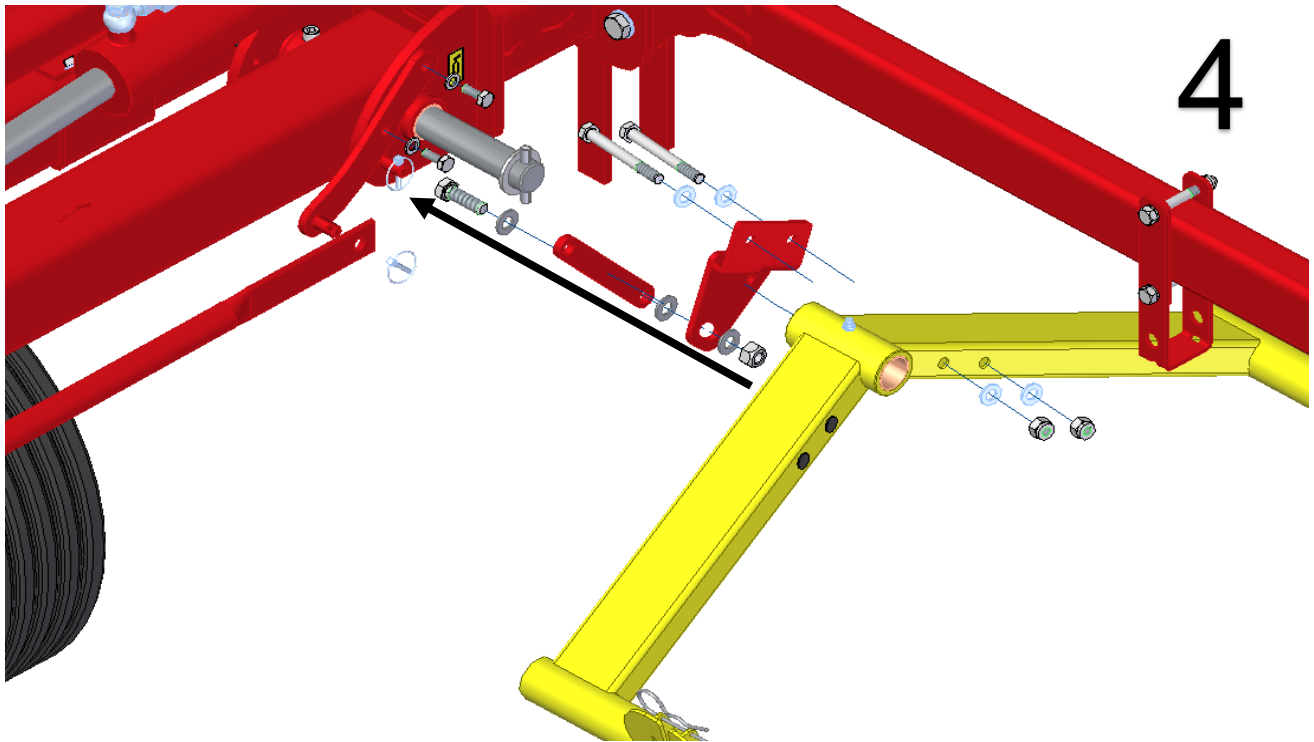


Figure 33: Installation of the AS 1200 M1 folding linkage; 4th tine section from the outside

Repeat the steps inversely (mirror image) for installation of the folding linkage on the other side.

6.3 HOOKING IN THE TINE SECTIONS

To hook in the tine sections, hook the chain (1) into the shackle of the fork and secure it with the cotter pin (2).

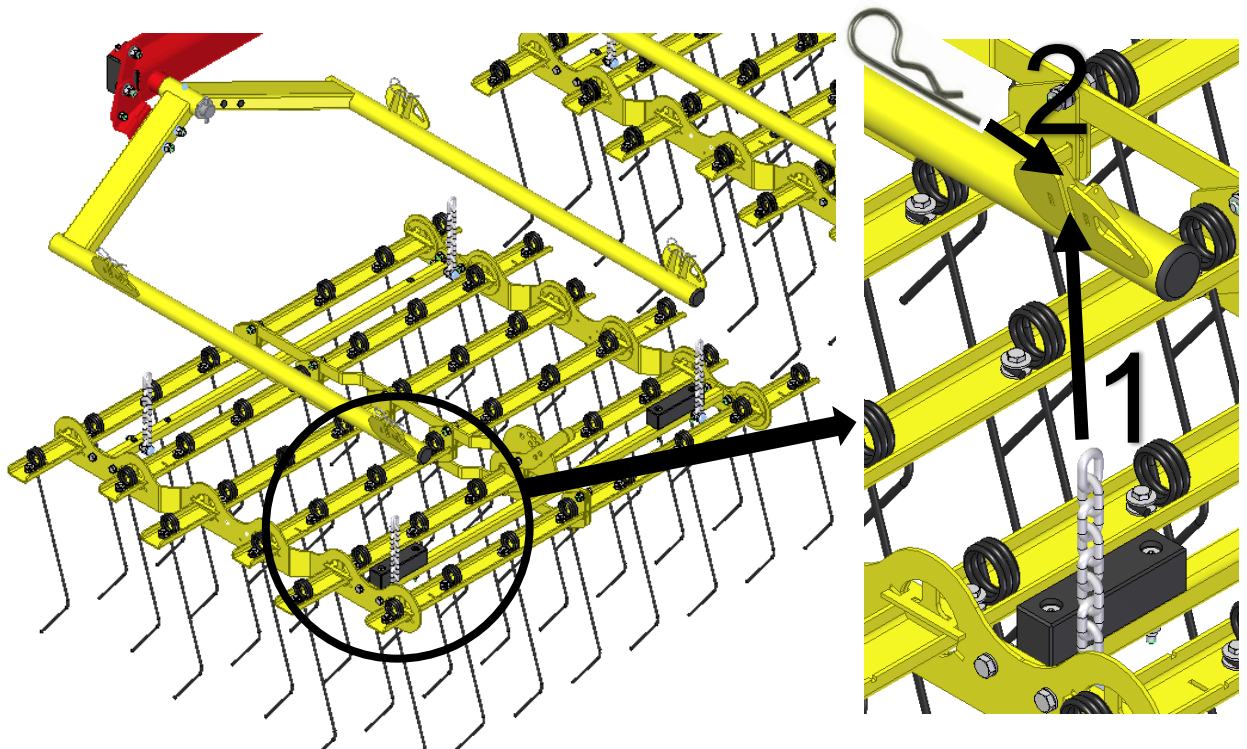


Figure 34: Hooking in the tine sections



APV – Technische Produkte GmbH
Headquarters: Dallein 15
3753 Hötzelsdorf, Austria

Tel.: +43 2913 8001
office@apv.at
www.apv.at

