

Version: 1.0 EN / Item no.: 00601-3-936

## P8 blank outlet conversion instructions

Please read carefully before initial operation!

TRANSLATION OF  
ORIGINAL CONVERSION INSTRUCTIONS

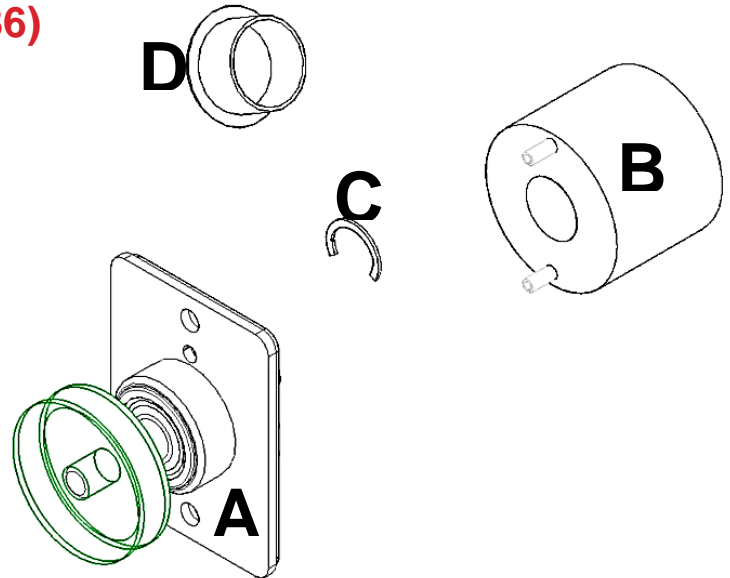


## Table of contents

1	Items included (04000-2-286).....	2
2	Removing the old bearing flange .....	2
3	Converting the seeding shaft .....	3
4	Installing the new bearing flange .....	3

## 1 Items included (04000-2-286)

- 1x **A-** bearing flange P8 D, installed  
Item no.: **04000-2-283**
- 1x **B-** blank wheel 1A, installed  
Item no.: **04000-2-287**
- 1x **C-** crescent ring  
Item no.: **BN831-17**
- 1x **D-** tube plug for 1-inch tube  
Item no.: **00600-3-767**



## 2 Removing the old bearing flange

- (1) First loosen the 2 nuts on the cover (WAF 13). You can use your APV socket wrench to do so.
- (2) Loosen the 2 knurled nuts and pull down the bearing flange. Put the 2 knurled nuts aside for later.
- (3) Lastly, pull the seeding shaft out of the seeding box.

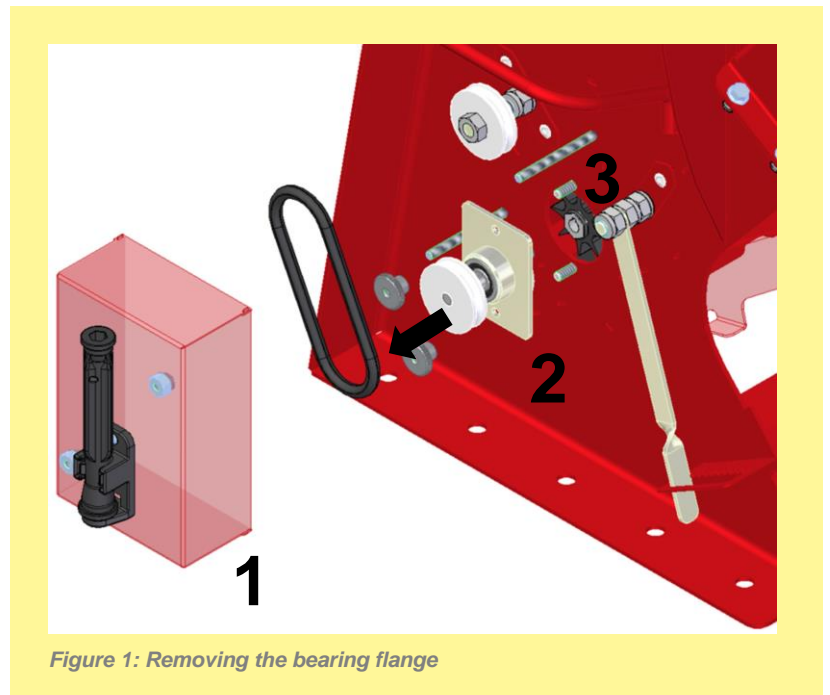


Figure 1: Removing the bearing flange



### TIP!

Before you pull out the seeding shaft, set the brush setting lever to +4.

### 3 Converting the seeding shaft

- (1) To convert the seeding shaft, first remove the O-ring. Then pull down as many seed wheels down from the bearing flange side as you want to make blank outlets.
- (2) Now insert the blank wheel(s) 1 A installed (B) onto the seeding shaft on the bearing flange side.
- (3) Finally, fasten the seed wheels with the crescent ring (C).

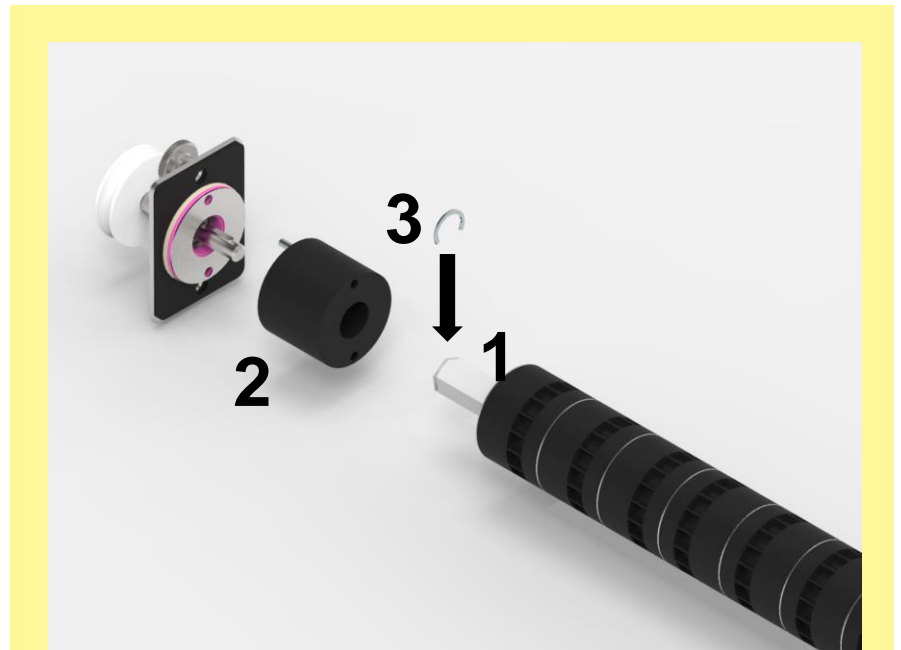


Figure 2: Converting the seeding shaft

### 4 Installing the new bearing flange

- (1) Now install the new bearing flange (A) and make sure that the female pins engage in the holes intended for this purpose. Then fasten the bearing flange with the 2 knurled nuts, hook on the rubber drive belt for the agitator, and put on the cover.
- (2) Finally, insert a short piece of hose in the outlets that were previously blanked and insert the tube plug (D) into the end of the hose.

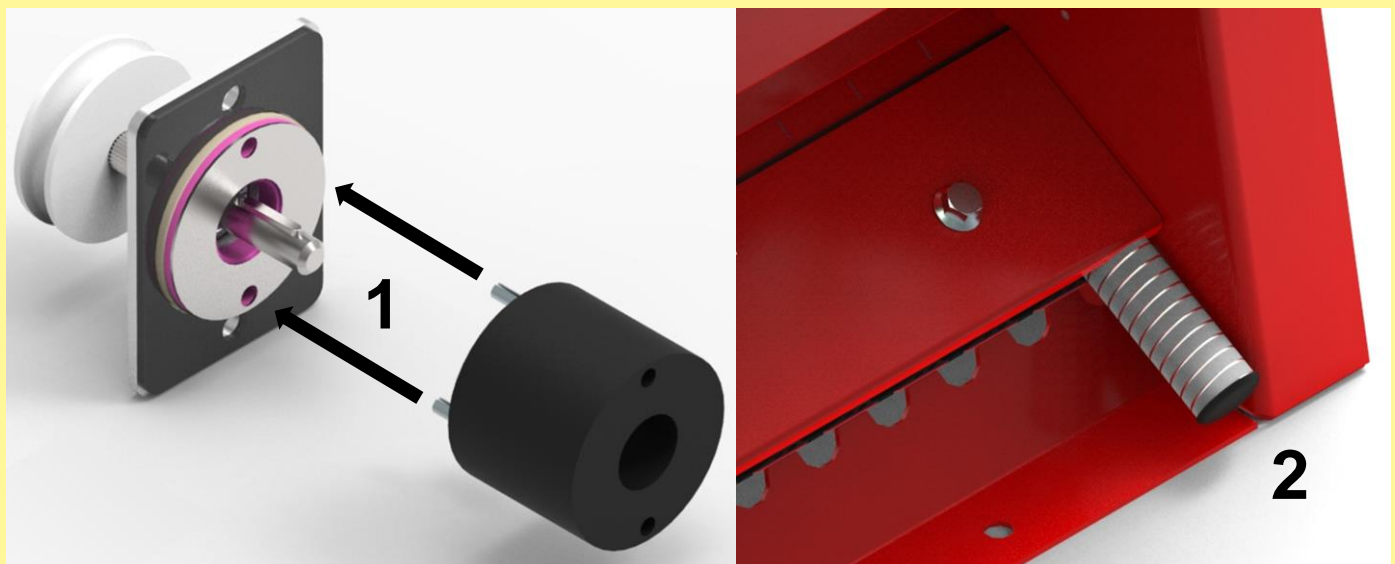


Figure 3: Function of the new bearing flange and closing the blanked outlets.

# Qualität für Profis

- seit 1997 -



**APV – Technische Produkte GmbH**  
**HEADQUARTERS**

Dallein 15, 3753 Hötzelndorf, Austria

Telephone: +43 (0) 2913 / 8001

Fax: +43 (0) 2913 / 8002

Email: [office@apv.at](mailto:office@apv.at)

Web: [www.apv.at](http://www.apv.at)

**Company details**

APV - Technische Produkte GmbH, Managing Director: Ing. Jürgen Schöls, Dallein 15, 3753 Hötzelndorf, Austria, [marketing@apv.at](mailto:marketing@apv.at), [www.apv.at](http://www.apv.at), UID: ATU 5067 1107

Photo credits: Company photos © APV