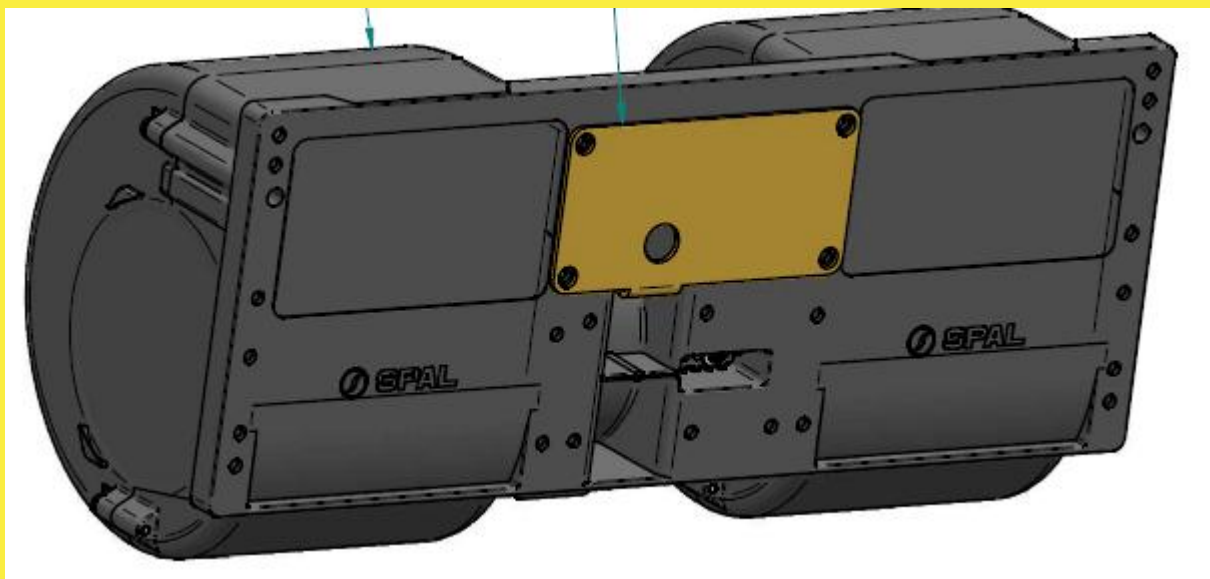


Modification instructions

Double blower fan with reinforcement



Version: 04/2016, V1.0

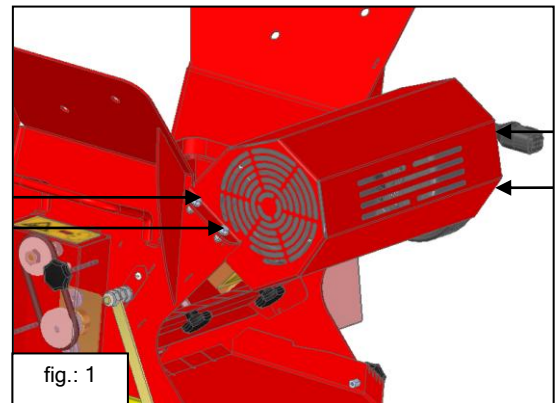
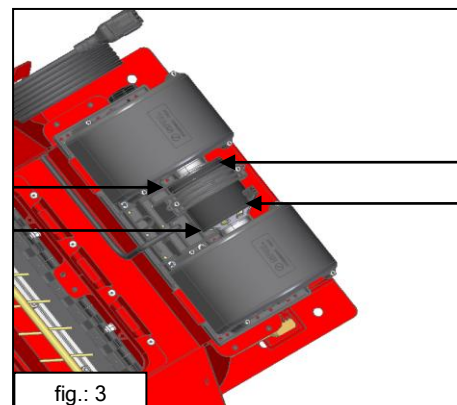
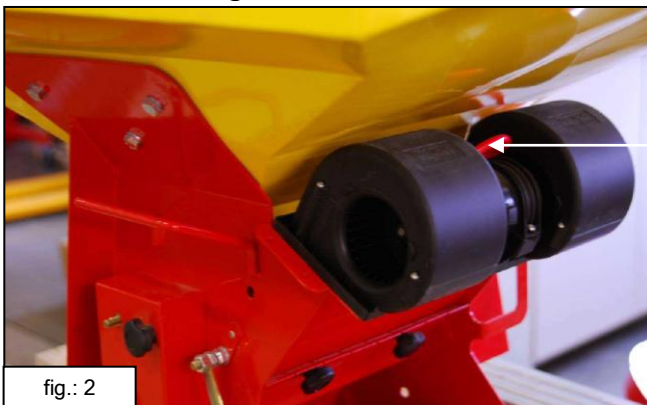
Order no.: 00600-3-927

00300-2-154 Replacement kit for double blower fan contains:

- | | | |
|-------------------|--------------------------------------|--------|
| • 04000-3-401 | Deflector plate P8 D | 1 pc. |
| • 04000-2-301 | Double blower fan with reinforcement | 1 pc. |
| • BN994-5.5x16 | Rounded head screw | 4 pcs. |
| • BN1409-4.8x10.9 | Flat head blind rivet | 2 pcs. |
| • 00300-5-166 | Folding box membrane 500x400x330 | 1 pc. |
| • 00200-5-208 | Pressure lock bag 50x70 | 1 pc. |

The conversion must be performed as follows:**1 Dismounting of the blower fan cover**

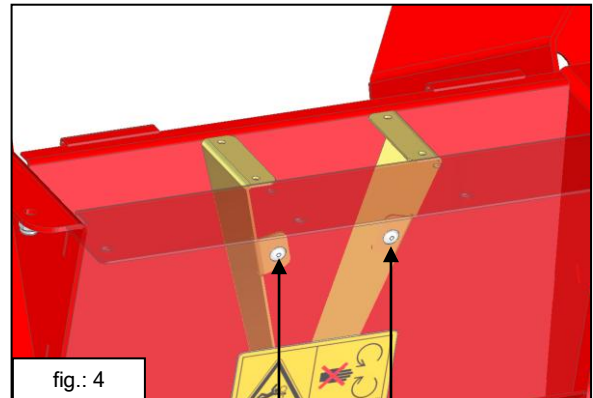
Loosen the fixing bolts of the blower fan cover and remove the blower fan cover (Fig.: 1).

**2 Dismounting of the blower fan**

Remove the 12 V connection from the double blower fan (Fig.: 2).
Loosen the fixing bolts and remove the double blower fan (Fig.: 3).

3 Dismounting of the deflector plate

Remove/drill out the rivets (Fig.: 4) and remove the deflector plate.



4 Installation of the deflector plate P8 D (04000-3-401)

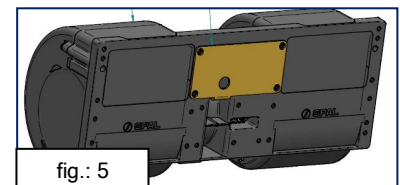
With 2 flat head blind rivets (BN1409-4.8x10.9)

Install the new deflector plate and attach with the supplied blind rivets (Fig.: 4).

5 Mounting of the double blower fan with reinforcement (04000-2-301)

With 4 rounded head screws (BN994-5.5x16)

Coat the collars with sealant/silicone and mount the new double blower fan with reinforcement (Fig.: 5) at the intended place (Fig.: 3).



6 Connection of the double blower fan

Reestablish the 12 V connection to the double blower fan (Fig.: 2).

7 Mounting of the blower fan cover

Put the blower fan cover back on and attach with the existing bolts (Fig.: 1).

Quality for professionals

Inspired by farmers & realized by professionals



APV - Technische Produkte GmbH
Dallein 15
AT-3753 Hötzelndorf

Tel.: +43(0)2913 8001
Fax.: +43(0)2913 8002

www.apv.at
office@apv.at